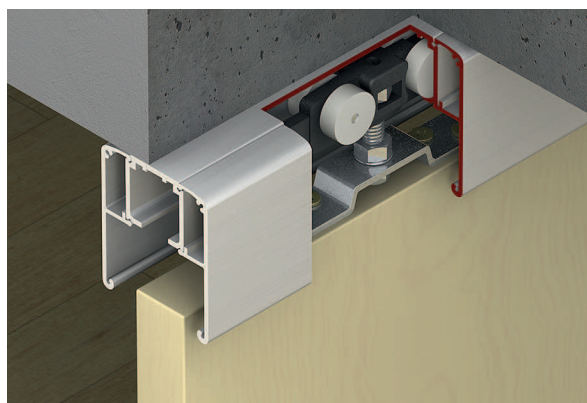


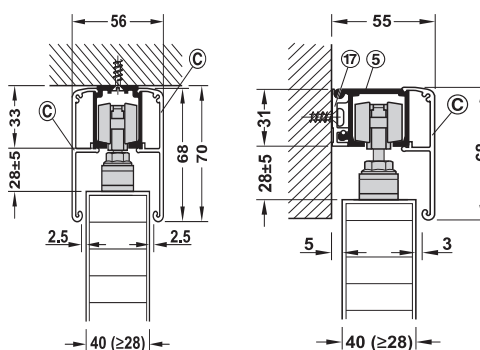
Classic 40-P to 120-P Sliding door fitting

For door weights from 40–120 kg

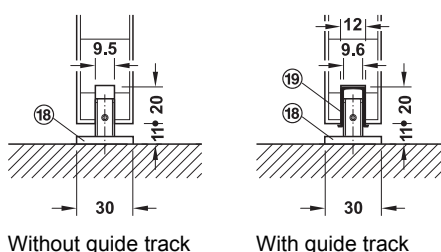


- Area of application: For 1-leaf and 2-leaf sliding doors
- Adjustment facility: Door height adjustable
- Floor guide: With zero clearance
- Installation: Suspension fitting with screwed-on support flange
- Door weight: 40–120 kg per door

Ceiling installation and wall mounting



Floor guide with zero clearance



→ Classic P Set for 1-leaf sliding doors

Soft and self closing mechanism	Version	Door width mm	40-P 40 kg	60-P 60 kg	80-P 80 kg	120-P 120 kg
Without	Version A	–	940.42.113	940.60.113	940.82.108	941.02.119
On one side	Version B	≥592 (40–80 kg) ≥681 (120 kg)	940.43.115	–	940.82.121	941.25.132
On both sides	Version C	≥727–846 (recommended max. width)	940.43.116	–	940.82.125	–
	Version D	≥847–966 (recommended max. width)	940.43.117	–	940.82.129	–
	Version E	≥916 (40–80 kg) ≥1094 (120 kg)	940.43.118	–	940.82.139	941.25.135

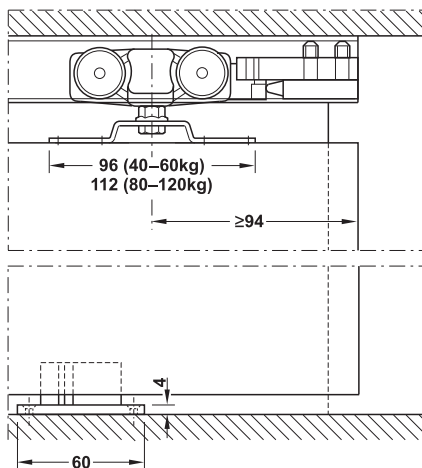
Note

End cap for ceiling installation with fascia on both sides not available. One pair of end caps can be glue fixed vertically in the centre of the running track (optional).

Order reference

Please order track, panels and accessories separately.
Order 2 sets for 2-leaf sliding doors.

Mortise locks	► BB 4.28 ► BB 9.362
Flush pull handles	► BB 9.371
Door handles for sliding doors	► BB 3.122
Retractable seals for sliding doors	► BB 8.17
Door seals for sliding doors	► BB 9.136
Tracks, panels and accessories	► BB 9.42
Synchro fitting	► BB 9.44
Track cleaner	► BB 9.85



Section guide and trolley hanger

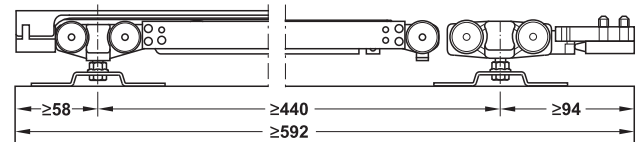
Soft closing versions overview

Version A, without soft and self closing mechanism

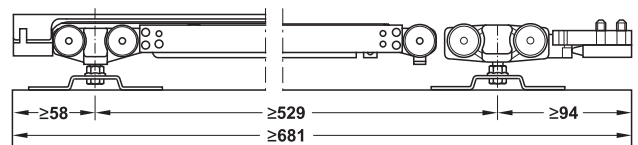


suitable for Classic 40-P to 120-P

Version B, with soft and self closing mechanism on one side

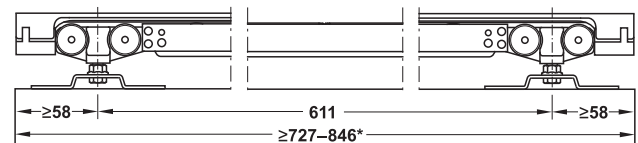


suitable for Classic 40-P and 80-P



suitable for Classic 120-P

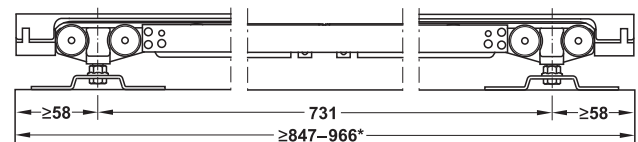
Version C, with soft and self closing mechanism on both sides



suitable for Classic 40-P and 80-P

* recommended max. width

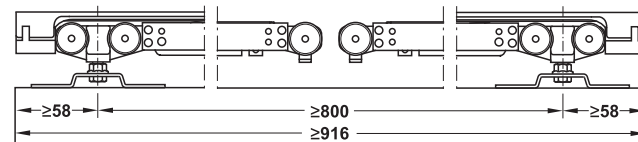
Version D, with soft and self closing mechanism on both sides



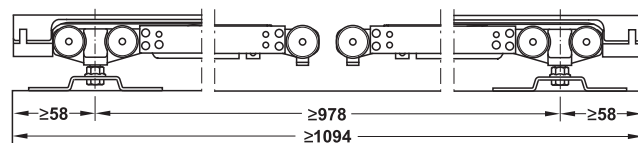
suitable for Classic 40-P and 80-P

* recommended max. width

Version E, with soft and self closing mechanism on both sides



suitable for Classic 40-P and 80-P



suitable for Classic 120-P

Classic 40-P to 120-P Set components

→ Classic 40-P

		Suitable for	For 1 door	Cat. No.
Running gear, 4 rollers, suspension screw with nut, support flange, for screw fixing, steel, galvanized, without soft and self closing mechanism	Fig. see soft closing versions overview	Version A	2 pieces	940.42.013
		Version B	1 piece	
Running gear, 4 rollers, suspension screw with nut, support flange, for screw fixing, steel, galvanized, with soft and self closing mechanism on one side	Fig. see soft closing versions overview	Version B	1 piece	940.42.017
		Version E	2 pieces	
Running gear, 4 rollers, suspension screws with nut, support flanges for screw fixing, steel, galvanized, soft and self closing mechanism on both sides	Fig. see soft closing versions overview	Version C	1 piece	940.43.012
		Version D	1 piece	940.42.016

→ Classic 60-P

		Suitable for	For 1 door	Cat. No.
Running gear, 4 rollers, suspension screw with nut, support flange for screw fixing, steel, galvanized, without soft and self closing mechanism	Fig. see soft closing versions overview	Version A	2 pieces	940.60.016

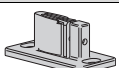
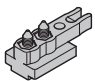
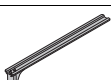
→ Classic 80-P

		Suitable for	For 1 door	Cat. No.
Running gear, 4 rollers, suspension screw with nut, support flange for screw fixing, steel, galvanized, without soft and self closing mechanism	Fig. see soft closing versions overview	Version A	2 pieces	940.82.012
		Version B	1 piece	
Running gear, 4 rollers, suspension screw with nut, support flange for screw fixing, steel, galvanized, soft and self closing mechanism on one side	Fig. see soft closing versions overview	Version B	1 piece	940.82.018
		Version E	2 pieces	
Running gear, 4 rollers, suspension screws with nut, support flanges for screw fixing, steel, galvanized, soft and self closing mechanism on both sides	Fig. see soft closing versions overview	Version C	1 piece	940.82.019
		Version D	1 piece	940.82.015

→ Classic 120-P

		Suitable for	For 1 door	Cat. No.
Running gear, 4 rollers, suspension screw with nut, support flange for screw fixing, steel, galvanized, without soft and self closing mechanism	Fig. see soft closing versions overview	Version A	2 pieces	941.02.021
		Version B	1 piece	
Running gear, 4 rollers, suspension screw with nut, support flange for screw fixing, steel, galvanized, soft and self closing mechanism on one side	Fig. see soft closing versions overview	Version B	1 piece	–
		Version E	2 pieces	

→ Classic 40-P to 120-P

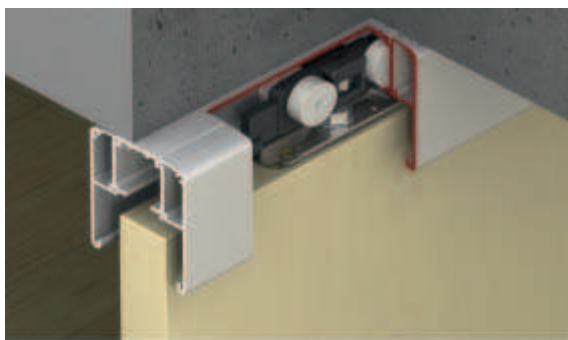
		Suitable for	For 1 door	Cat. No.
Floor guide with zero clearance, plastic, black		Version A, version B, version C, version D, version E	1 piece	940.42.030
Track buffer, with retaining spring and rubber buffer, plastic		Version A for 40–60 kg	2 pieces	940.42.040
		Version B for 40–60 kg	1 piece	
		Version A for 80–120 kg	2 pieces	940.42.041
		Version B for 80–120 kg	1 piece	
Release device, with stopper, steel, galvanized		Version B	1 piece	940.42.042
		Version C, version D, version E	2 pieces	

Order reference

Catalogue numbers apply to 1 piece. Please specify required quantity when ordering individual components.

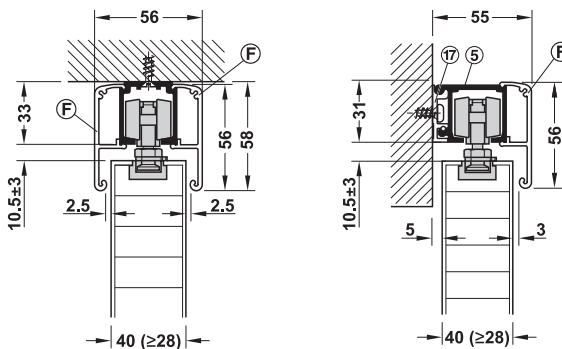
Classic 40-O to 120-O Sliding door fitting

For door weights from 40–120 kg

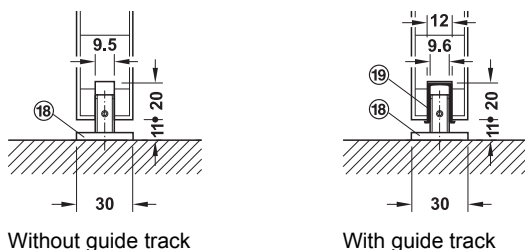


- Area of application: For 1-leaf and 2-leaf sliding doors
- Adjustment facility: Door height adjustable
- Floor guide: With zero clearance
- Installation: Suspension with recessed flange clip (without tools)
- Door weight: 40 kg–120 kg per door

Ceiling installation and wall mounting



Floor guide with zero clearance



→ Classic O Set for 1-leaf sliding doors

Soft and self closing mechanism	Version	Door width mm	40-O 40 kg	60-O 60 kg	80-O 80 kg	120-O 120 kg
Without	Version A	–	940.42.114	940.60.118	940.82.145	941.02.120
On one side	Version B	≥592 (40–80 kg) ≥681 (120 kg)	940.43.119	–	940.82.146	941.25.112
On both sides	Version E	≥916 (40–80 kg) ≥1094 (120 kg)	940.43.004	–	940.82.147	941.25.115

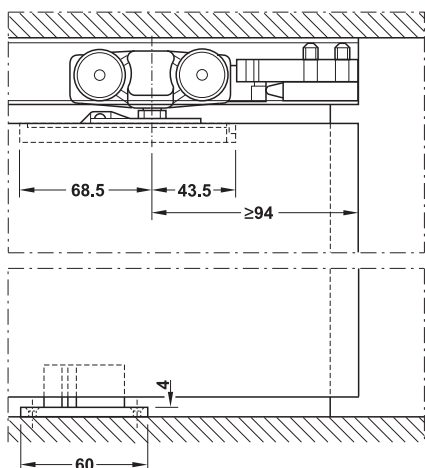
Note

End cap for ceiling installation with fascia on both sides not available.
One pair of end caps can be glue fixed vertically in the centre of the running track (optional).

Order reference

Please order track, panels and accessories separately.
Order 2 sets for 2-leaf sliding doors.

Mortise locks	► BB 4.28 ► BB 9.362
Flush pull handles	► BB 9.371
Door handles for sliding doors	► BB 3.122
Retractable seals for sliding doors	► BB 8.17
Door handles for sliding doors	► BB 9.136
Tracks, panels and accessories	► BB 9.42
Track cleaner	► BB 9.85



Section guide and trolley hanger

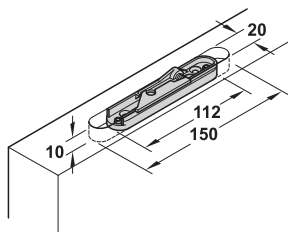
Installation



Left flange clip

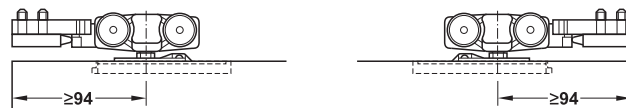
Right flange clip

Routing dimensions



Soft closing versions overview

Version A, without soft and self closing mechanism



suitable for Classic 40-O to 120-O

Version B, with soft and self closing mechanism on one side

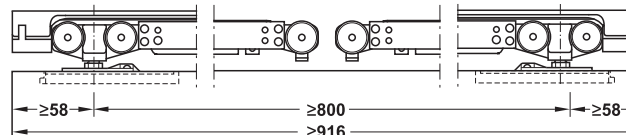


suitable for Classic 40-O and 80-O

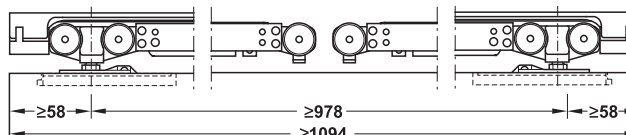


suitable for Classic 120-O

Version E, with soft and self closing mechanism on both sides



suitable for Classic 40-O and 80-O



suitable for Classic 120-O

Classic 40-O to 120-O Set components

→ Classic 40-O

		Mounting	Suitable for	For 1 door	Cat. No.
Running gear, 4 rollers, suspension screw with nut, flange clip for hooking in (without tools), nickel plated zinc, without soft and self closing mechanism	Fig. see soft closing versions overview	Left	Version A	1 piece	940.42.014
		Right	Version A	1 piece	940.42.015
	Version B				
Running gear, 4 rollers, suspension screw with nut, flange clip for hooking in (without tools), nickel plated zinc, soft and self closing mechanism on one side	Fig. see soft closing versions overview	Left	Version B	1 piece	940.42.018
			Version E		
		Right	Version E	1 piece	940.42.019

→ Classic 60-O

		Mounting	Suitable for	For 1 door	Cat. No.
Running gear, 4 rollers, suspension screw with nut, flange clip for hooking in (without tools), nickel plated zinc, without soft and self closing mechanism	Fig. see soft closing versions overview	Left	Version A	1 piece	940.60.017
		Right	Version A	1 piece	940.60.018

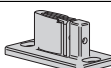
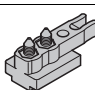
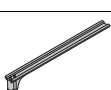
→ Classic 80-O

		Mounting	Suitable for	For 1 door	Cat. No.
Running gear, 4 rollers, suspension screw with nut, flange clip for hooking in (without tools), nickel plated zinc, without soft and self closing mechanism	Fig. see soft closing versions overview	Left	Version A	1 piece	940.82.013
		Right	Version A	1 piece	940.82.014
	Version B				
Running gear, 4 rollers, suspension screw with nut, flange clip for hooking in (without tools), nickel plated zinc, soft and self closing mechanism on one side	Fig. see soft closing versions overview	Left	Version B	1 piece	940.82.016
			Version E		
		Right	Version E	1 piece	940.82.017

→ Classic 120-O

		Mounting	Suitable for	For 1 door	Cat. No.
Running gear, 4 rollers, suspension screw with nut, flange clip for hooking in (without tools), nickel plated zinc, without soft and self closing mechanism	Fig. see soft closing versions overview	Left	Version A	1 piece	941.02.022
		Right	Version A	1 piece	941.02.023
	Version B				
Running gear, 4 rollers, suspension screw with nut, flange clip for hooking in (without tools), nickel plated zinc, soft and self closing mechanism on one side	Fig. see soft closing versions overview	Left	Version B	1 piece	–
			Version E		
		Right	Version E	1 piece	–

→ Classic 40-O to 120-O

		Mounting	Suitable for	For 1 door	Cat. No.
Floor guide with zero clearance, plastic, black		–	Version A	1 piece	940.42.030
			Version B		
			Version E		
Track buffer, with retaining spring and rubber buffer, plastic		–	Version A for 40–60 kg	2 pieces	940.42.040
			Version B for 40–60 kg	1 piece	
			Version A for 80–120 kg	2 pieces	940.42.041
			Version B for 80–120 kg	1 piece	
Release device, with stopper, steel, galvanized		–	Version B	1 piece	940.42.042
			Version E	2 pieces	

Order reference

Catalogue numbers apply to 1 piece. Please specify required quantity when ordering individual components.

→ Running tracks

			Area of application	Material	Finish/colour	Length mm	Cat. No.					
Single running track, pre-drilled, 31 x 33 mm (W x H)	①		For door weights 40–120 kg	Aluminium	Bright	2000	940.43.921					
						3000	940.43.931					
						6000	940.43.961					
										Silver coloured anodized	2000	940.43.922
											3000	940.43.932
											6000	940.43.962
Single running track, pre-drilled, 47.5 x 47 mm (W x H)	②		For door weights 40–120 kg	Aluminium	Silver coloured anodized	2000	940.43.920					
						3000	940.43.930					
						6000	940.43.960					
Double running track, pre-drilled, 70 x 33 mm (W x H)	③		For door weights 40–120 kg	Aluminium	Silver coloured anodized	2000	941.02.920					
						3000	941.02.930					
						6000	941.02.960					
Double running track, pre-drilled, 81 x 33 mm (W x H)	④		For door weights 40–120 kg	Aluminium	Silver coloured anodized	2000	941.02.820					
						3000	941.02.830					
						6000	941.02.860					
Single running track	⑤		For door weights 40–120 kg	Aluminium	Silver coloured anodized	2000	941.25.920					
						3000	941.25.930					
						6000	941.25.960					
Mounting rail, pre-drilled, width 19 mm	⑬		For door weights 40–120 kg	Aluminium	Silver coloured anodized	2000	941.25.821					
						3000	941.25.831					
						6000	941.25.861					
Mounting rail, pre-drilled, width 8 mm	⑭		For door weights 40–120 kg	Aluminium	Silver coloured anodized	2000	941.25.820					
						3000	941.25.830					
						6000	941.25.860					
Mounting rail, high, pre-drilled width 19 mm	⑮		For door weights 40–120 kg	Aluminium	Silver coloured anodized	2000	941.25.823					
						3000	941.25.833					
Mounting rail, high, pre-drilled width 8 mm	⑯		For door weights 40–120 kg	Aluminium	Silver coloured anodized	2000	941.25.822					
						3000	941.25.832					

Note

Aluminium bright running track cannot be used in combination with a clip panel.

Order reference

Please order threaded end insert for running track ⑤ and mounting rail ⑬ or ⑭ separately.

Installation (running track ⑤ and mounting rail ⑬, ⑭, ⑮ or ⑯)

Slide in threaded end insert at rail ends or screw-in screw at rail ends (countersink for flush screw head). The running track and mounting rail ends must be fixed with glue points when installed between walls.

Mounting rail ⑮ and ⑯ prevent lightweight construction walls, for example, from tipping.

→ Mounting brackets and accessories

Note

Install wall mounting bracket ⑩ every 400 mm.

			Area of application	Material	Finish/colour	Wall distance track centre mm	Length mm	Cat. No.
Mounting bracket with screw and nut	⑩		For running track ①	Steel	Galvanized	16–25	36	940.42.061
						18–33	44	940.62.061
						33–55	64	940.42.063
Key	–		–	Steel	Galvanized	–	–	940.43.032
Threaded end insert or safety lock screw for running track (1 set)	–		For running track ⑤ and mounting rail ⑬, ⑭, ⑮ or ⑯	Steel	Galvanized	–	–	941.25.090
Floor guide for installation in wall pocket, with zero clearance	–		For installation on one or both sides to front side of sliding door wall pocket, for gap width 8–8.5 mm	Steel	Galvanized	–	245, can be cut to size	940.42.035
Sample case	–	–	–	–	–	–	–	732.06.916



→ Panels and accessories

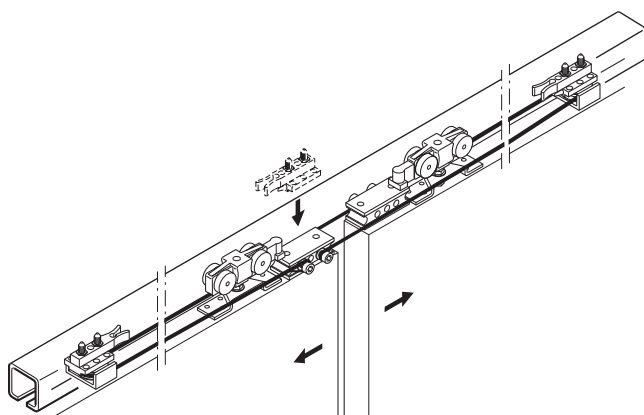
Note

Install fixing clip every 400 mm.

			Area of application	Material	Finish/colour	Length mm	Width B mm	Cat. No.
Clip panel, height 56 mm			For running track ① , ② , ③ , ④ and ⑤	Aluminium	Silver coloured anodized	2000	–	940.43.123
						3000	–	940.43.133
						6000	–	940.43.163
Clip panel, height 68 mm			For running track ① , ② , ③ , ④ and ⑤	Aluminium	Silver coloured anodized	2000	–	940.43.120
						3000	–	940.43.130
						6000	–	940.43.160
					Stainless steel coloured anodized	2000	–	940.43.122
						3000	–	940.43.132
						6000	–	940.43.162
Clip panel, for thick doors, height 68 mm, width 22.5 mm			For running track ① , ② , ③ , ④ and ⑤	Aluminium	Silver coloured anodized	2000	–	940.43.220
						3000	–	940.43.230
						6000	–	940.43.260
Clip panel, for integration in suspended ceilings			For running track ① , ③ and ④	Aluminium	Silver coloured anodized	2000	–	940.43.620
						3000	–	940.43.630
						6000	–	940.43.660
End cap set	–		For running track ①	Plastic	Silver coloured	–	31	940.43.066
End cap set	–		For running track ① and panel ③	Plastic	Silver coloured	–	44	940.43.031
					Stainless steel coloured	–	44	940.43.036
			For running track ② and panel ③	Plastic	Silver coloured	–	59	940.43.020
			For running track ⑤ with mounting rail ⑰ , ⑱ and panel ③	Plastic	Silver coloured	–	52	941.25.033
					Stainless steel coloured	–	52	941.25.036
			For running track ⑤ with mounting rail ⑰ , ⑱ and panel ③	Plastic	Silver coloured	–	63	941.25.034
					Stainless steel coloured	–	63	941.25.037
			For running track ① and panel ④	Plastic	Silver coloured	–	54	940.43.030
			For running track ② and panel ④	Plastic	Silver coloured	–	68	941.62.020
			For running track ⑤ with mounting rail ⑰ , ⑱ and panel ④	Plastic	Silver coloured	–	73	941.25.035
For running track ① and panel ⑥ , for running track ⑤ with mounting rail ⑰ , ⑱ and panel ⑥	Plastic	Silver coloured	–	54	940.43.028			
For running track ⑤ with mounting rail ⑰ , ⑱ and panel ⑥	Plastic	Silver coloured	–	64	940.43.037			
Floor guide	⑳		For 1-leaf sliding doors	Plastic	Grey	–	–	940.42.031
Floor guide with zero clearance	⑱		–	Plastic	Black	–	–	940.42.030
Guide track, bottom, for press fitting	⑱		For floor guide with zero clearance ⑱	Plastic	Black	1000	–	940.42.050
						1500	–	940.42.051
						2000	–	940.42.052
Fixing clip, for wooden panel	Ⓞ		For running track ① , ② , ③ , ④ and ⑤	Aluminium	Bright	100	–	940.43.025

Classic Synchro Additional set

For Classic 40-P to 120-P sliding door fittings



- Area of application: For 2-leaf sliding doors
- Functionality: For symmetrical opening of 2 door leaves
- Door width: ≥ 600 and $\leq 1,500$ mm

→ Classic Synchro Additional set

Note

The additional set can only be used in combination with standard equipment consisting of two sets for 1-leaf sliding doors (Classic 40-P, 60-P, 80-P or 120-P) and running track. Not suitable for versions with soft and self closing mechanism.

	Cat. No.
For 2-leaf sliding doors	940.44.002

→ Classic Synchro Set components

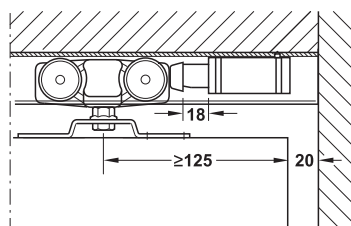
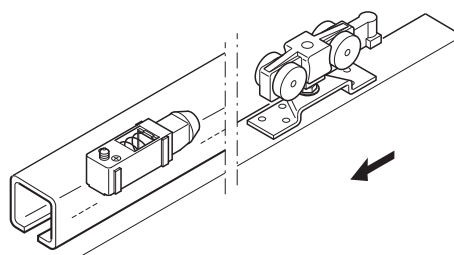
		For 2 doors	Cat. No.
Track buffer, with deflection roller		2 pieces	940.44.070
Cable fixing block		2 pieces	940.44.073
Cable without plastic sheathing, 10 m		1 piece	940.44.074

Order reference

Catalogue numbers apply to 1 piece. Please specify required quantity when ordering individual components. Please order additional cable for door widths $> 1,250$ mm separately.

Additional set with stop buffer

For Classic 40-P to 120-P, 40-O to 120-O and 40-I to 120-I sliding door fittings



Note

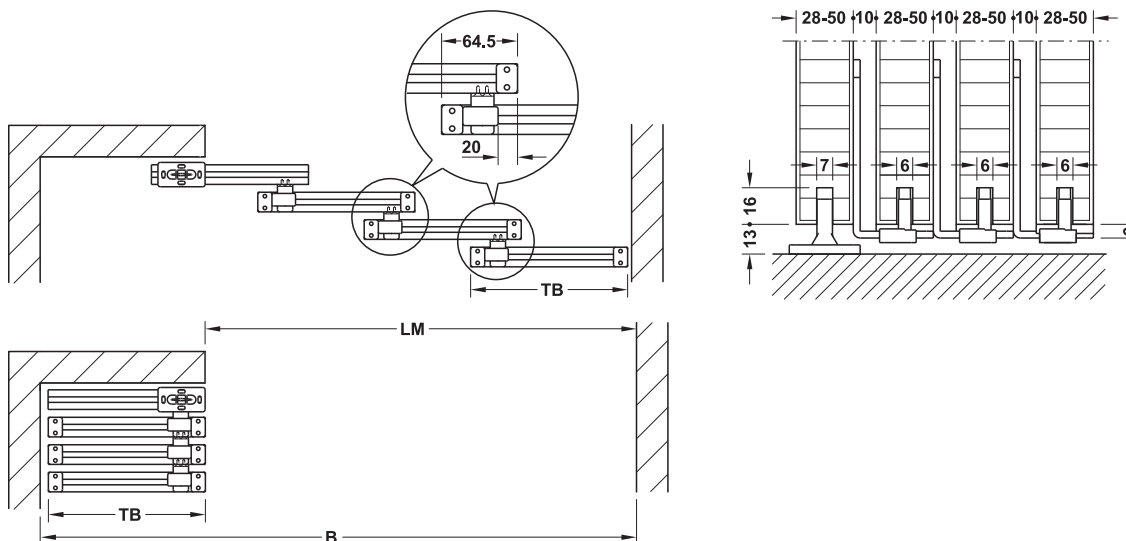
Not suitable for use in combination with soft and self closing mechanism.

- Functionality: The stop buffer replaces the sprung handle with sliding doors that run in walls. The door bounces back out of the cavity after pushing it slightly so that the flush pull handle can be reached.
- Installation: The stop buffer is pushed into the running track from the front edge and fixed using fixing screw. A wall distance of min. 20 mm must be provided in order to ensure the functionality of the soft closing action.

		Door weight kg	Cat. No.
Stop buffer		40	940.42.070
		80	940.42.071
		120	940.42.072

Classic Additional set for stacking

For Classic 40-P to 120-P, 40-O to 120-O and 40-I to 120-I sliding door fittings



TB = door width, LM = internal width, B = total width

2 doors: $TB = (LM + 129 \text{ mm})/2$

3 doors: $TB = (LM + 193.5 \text{ mm})/3$

4 doors (see drawing): $TB = (LM + 258 \text{ mm})/4$

- Area of application: For 2-leaf to 4-leaf sliding doors
- Functionality: For stacking 2 to 4 door leaves
- Door width: $\geq 700 \text{ mm}$

Note

The additional set can only be used in combination with the respective number of door sets (see cross reference), respective number of running tracks and panels (optional).

The use for versions with soft and self closing mechanism is only suitable to a limited extend as a smooth opening and closing action cannot be ensured.

		For 2 doors	For 3 doors	For 4 doors	Cat. No.
Stacking set, consists of 2 stoppers and 1 floor guide with bracket		1 set	2 sets	3 sets	940.44.001
Floor guide, plastic		1 piece	1 piece	1 piece	942.35.400

→ Running tracks and panels

Note

Suitable end cap set is not available.

		Area of application	Material	Finish/colour	Length mm	Cat. No.
Single running track, pre-drilled, 31 x 33 mm (W x H)		For door weights 40–120 kg	Aluminium	Silver coloured anodized	2000	940.43.922
					3000	940.43.932
					6000	940.43.962
Clip panel, height 56 mm		For running track ①, ②, ③, ④ and ⑤	Aluminium	Silver coloured anodized	2000	940.43.123
					3000	940.43.133
					6000	940.43.163
Clip panel, height 68 mm		For running track ①, ②, ③, ④ and ⑤	Aluminium	Silver coloured anodized	2000	940.43.120
					3000	940.43.130
					6000	940.43.160

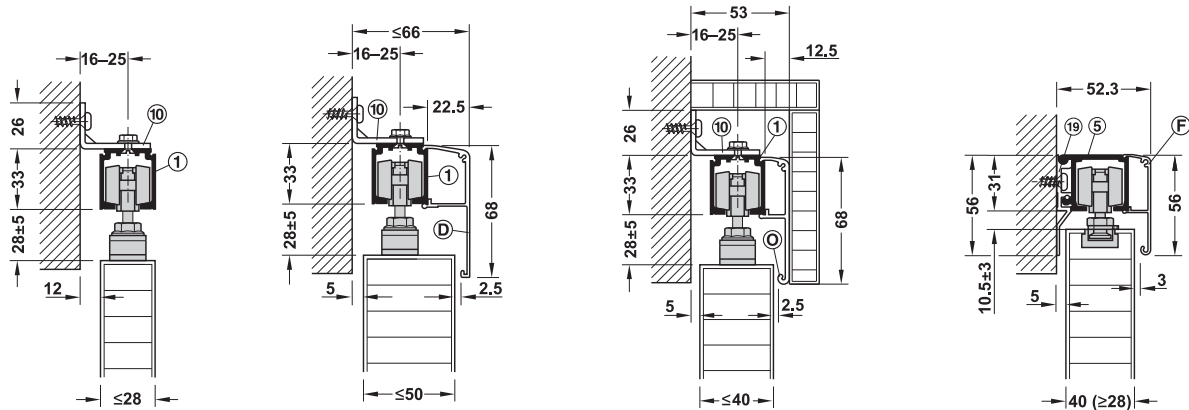
Classic 40-P to 120-P sliding door fitting ► BB 9.36

Classic 40-O to 120-O sliding door fitting ► BB 9.39

Classic Individual components

For Classic 40-P to 120-P, 40-O to 120-O sliding door fittings

Other installation options:



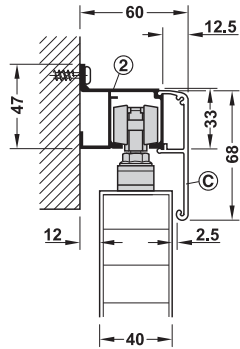
Wall mounting with mounting bracket

Wall mounting with concealed mounting bracket and wide clip panel 68 mm

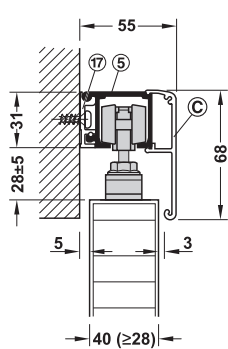
Wall mounting with mounting bracket and fixing clip for wooden panel

Wall mounting with running track, mounting rail high, width 8 mm, and clip panel 56 mm

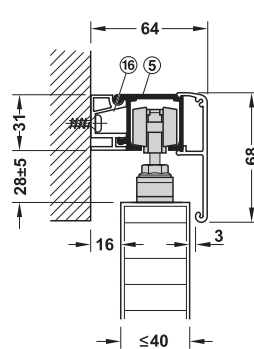
Sliding Door Fittings for Wooden Doors



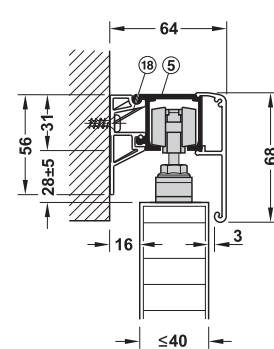
Wall mounting with running track and clip panel 68 mm



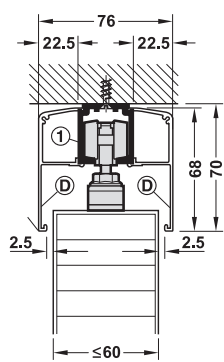
Wall mounting with running track, mounting rail, width 8 mm, and clip panel 68 mm



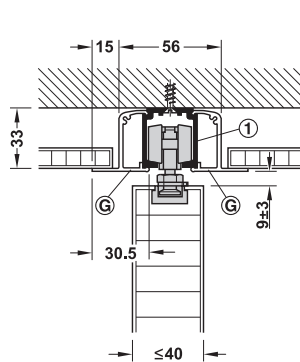
Wall mounting with running track, mounting rail, width 19 mm, and clip panel 68 mm



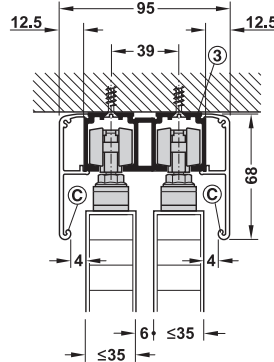
Wall mounting with running track, mounting rail high, width 19 mm, and clip panel 68 mm



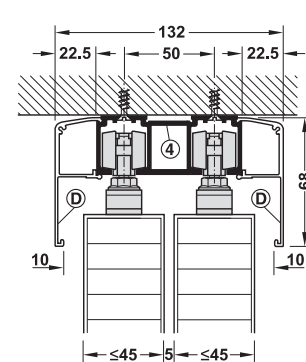
Ceiling installation with running track and 2 x wide clip panel 68 mm



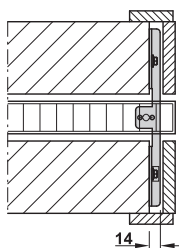
Ceiling installation with running track and 2 x clip panel for integration in suspended ceilings



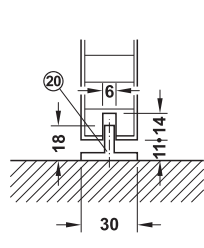
Ceiling installation with running track for max. door thickness 35 mm and 2 x clip panel 68 mm



Ceiling installation with running track for max. door thickness 45 mm and 2 x wide clip panel 68 mm



Floor guide, for wall mounting, with zero clearance



Floor guide

DGH-B 2015, HDE-en, 06/15; Dimensional data not binding. We reserve the right to alter specifications without notice.